

# AIRCRAFT WARNING LIGHTS

## MEDIUM INTENSITY EXPLOSION PROOF OBSTRUCTION LIGHT MIOL - A - Ex



AWL - MIOL - Ex



# AIRCRAFT WARNING LIGHTS

## MIOL - A - Ex

### KEY FEATURES

- Based on LED technology
- 20.000cd day mode, WHITE flashing
- 2.000cd night mode, WHITE flashing
- Long life time >10+ years life expectancy
- Low consumption
- Stabilised light output
- Lightweight and compact
- Low wind load factor
- Alarm/remote status control
- Easy to install
- No RF-radiations
- Light output alignment device
- Stainless Steel beacon support bracket
- Patented beacon (EU 001929910-0001; Canada 145 189; USA D673,474)
- Ex Certificate: Ineris 01ATEX0019x
- ATEX execution: II 2GD Exde IIC T4 Gb

### OPTICAL FEATURES

- Cd emission @ -0,5° and +4°
- Horizontal beam radiation 360°
- Vertical beam spread 4°
- PMMA lens

### OPTIONS

- Twin version: two galvanically separated circuits in the same fixture
- Power supply AC or DC
- GPS (Global Position System) syncro

### MECHANICAL FEATURES

- RAL7035 painted aluminium body lamp
- Borosilicate glass cover protection
- Degree of protection: IP66
- Operating temperature: -52°C to +40°C/+60°C
- Storage temp. range: -50°C to +60°C
- Lamp unit weight: 15,5kg

### ELECTRICAL FEATURES

- Average power consumption for day mode (@20fpm): 45W
- Average power consumption for night mode (@20fpm): 10W
- Average power consumption for day mode (@40fpm): 110W
- Average power consumption for night mode (@40fpm): 13W
- Average power consumption for day mode (@60fpm): 160W
- Average power consumption for night mode (@60fpm): 18W
- LED feeded at constant current
- Lightning protection

### APPLY TO

- Stack - Chimney - Tower crane - Flare
- Offshore platform
- Chemical and Petrochemical plant

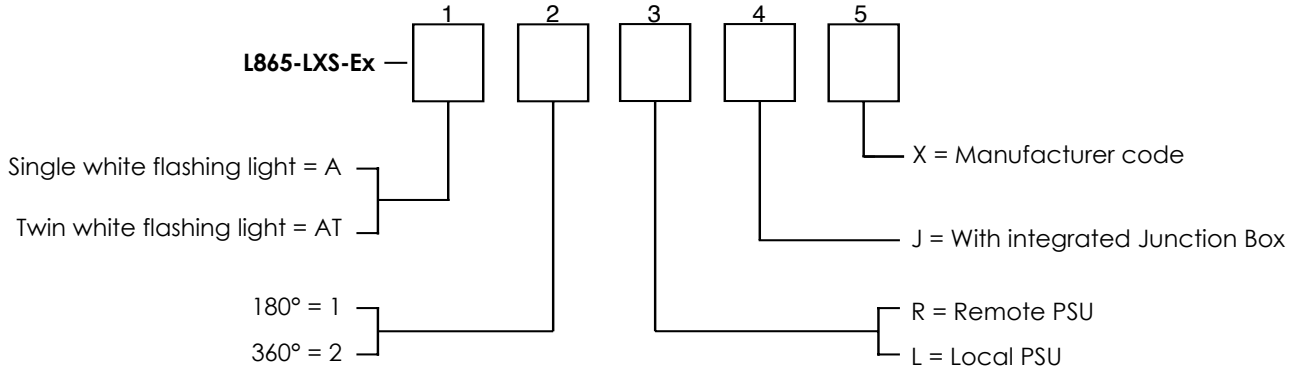
### INTERNATIONAL REGULATION

- ICAO Aerodromes -Annex 14 Volume 1, 6<sup>th</sup> Edition, July 2013 Chapter 6: Medium intensity, Type A flashing obstacle light MIOL-A type
- FAA AC150/5345-43F E.B. #67 Lamp type L-865
- DGAC/STAC approval nr. 2013A038
- CE marking
- ATEX

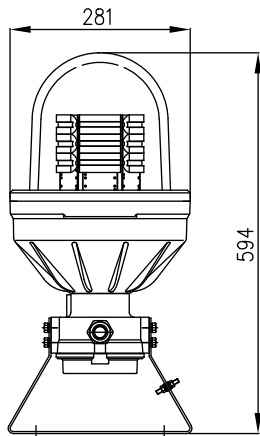
# AIRCRAFT WARNING LIGHTS

## MIOL - A - Ex

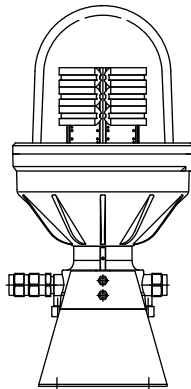
### Order code



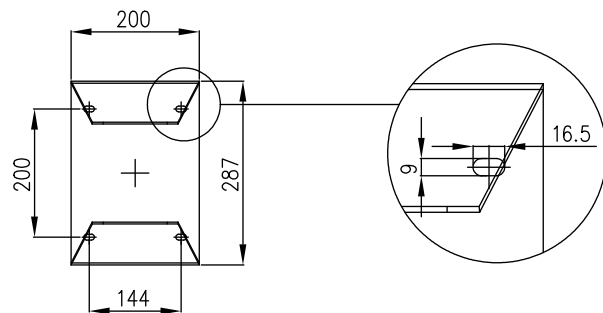
BEACON FRONT VIEW



BEACON SIDE VIEW

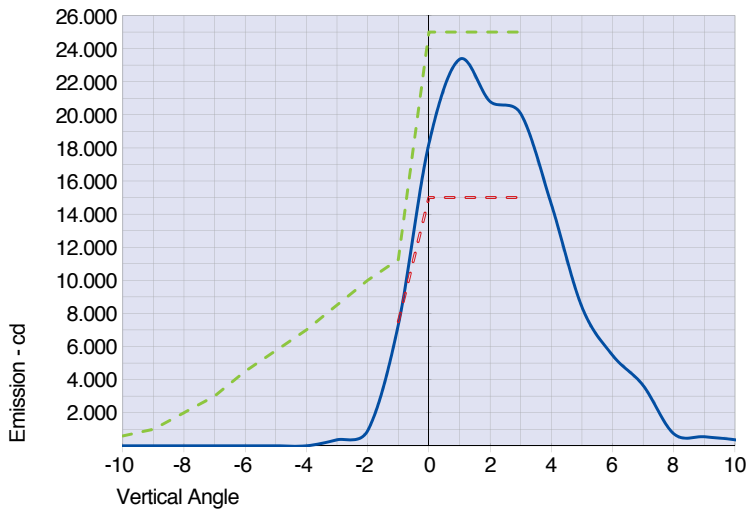


FIXING DETAILS



# AIRCRAFT WARNING LIGHTS

## MIOL - A - Ex



- L865-LXS-A average emission level at 90°C ambient temperature
- ICAO ANNEX 14 medium intensity type A Minimum Required Intensity
- ICAO ANNEX 14 medium intensity type A Maximum Required Intensity

AWL - MIOL - EX

### CERTIFICATIONS



### FEATURES



### TYPICAL APPLICATION

